

Dung Removal Systems for your stall

# Pig · Hen · Cow Sheep

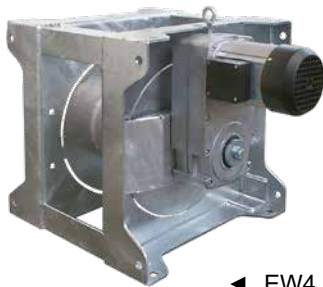


**Prinzing**  
— MASCHINENBAU —



## Drive Winches

Our drive winches (EW) are compact, designed in a closed construction and convincing due to their easily assembling. The drive speed can be adapted on special demands (4 - 20 m/min). All drive winches can be used for single- or double row systems. You will get all the necessary galvanized protective coverings for the drive winches.



◀ EW4



◀ EW53



◀ EW62

### Technical Data for Single Drive Winches

Type:	EW4	EW53	EW62
Frame:	Steel, galvanized	Steel, galvanized	Steel, galvanized
Drum:	Ø = 200 mm / 250 mm Steel, galvanized	Ø = 480 mm Kunststoff, profiliert	Ø = 640 mm Stahl, verzinkt
Drive:	0,55 kW - 0,9 kW	0,55 kW - 0,75 kW	0,75 kW
Coiling device:	option	no	option
Max. length tension rope	120 m (Ø 8 mm ) 100 m (Ø 10 mm)	80 m (Ø 8 mm ) 70 m (Ø 10 mm)	150 m (Ø 8 mm ) 130 m (Ø 10 mm)
Wall assembling:	possible	possible	no
Wall/floor console:	possible	possible	no
Optional extras:	Available with stainless steel drum	---	---



## Guide Pulleys

PRINZING-guide pulleys are consisting out of a sturdy frame and rope pulleys out of high-quality plastic. By bearing with a stainless steel bush the rope pulley is service reduced. The guide pulleys are deliverable in lying- or standing design.



▲ Design galvanized, roll-Ø 250 mm



▲ Design stainless steel, roll-Ø 300 or 400 mm





## Controls

Electric controls for our drive winches are available in different designs. So we are able to offer the optimal control for your requirements.

### Electric Control (EW3)

- Switch over and off the drives by a mechanical end-switch
- Control by integrated or external push buttons
- Optional with time switch for auto mode or with deadman-control



### Electric Control with SPS (EW3 easy)

- Switch over and off the drives by a mechanical end-switch or by current drain
- Dunting in portions in up to 20 stages, free programmable
- Several systems can be operated at the same time
- Manual operation by integrated or external push buttons



### Electric Control BASIC (ESB210)

- Switch over and off the drives by current drain
- Learning program for the automatic adjustment of the tensile force (breaking current)
- Manual and fully automated operation
- Auto mode with up to 20 starting times daily
- Frost program, controlled by a temperature sensor
- Automatic adaption of the breaking current due to voltage fluctuations in the power network because of PV- or wind engines



### Equipment for Electric Controls

- External, tethered push buttons for the operation of the control by a defined place in the stall
- Radio controlled remote for the individual operation of the control in the stall
- Safety shutdown boards for the switch off of the system in emergency situations near and round passages
- Safety trip wire for the extension of the emergency stop function
- Signal transmitter (honk, glow) for optical / acoustic messages





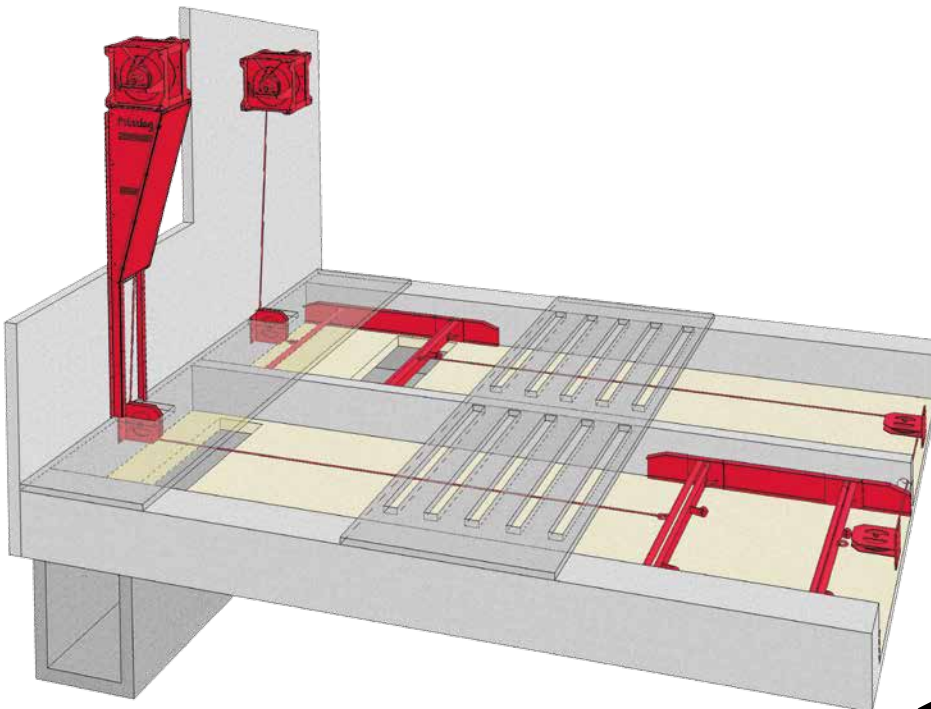


## Pigsty

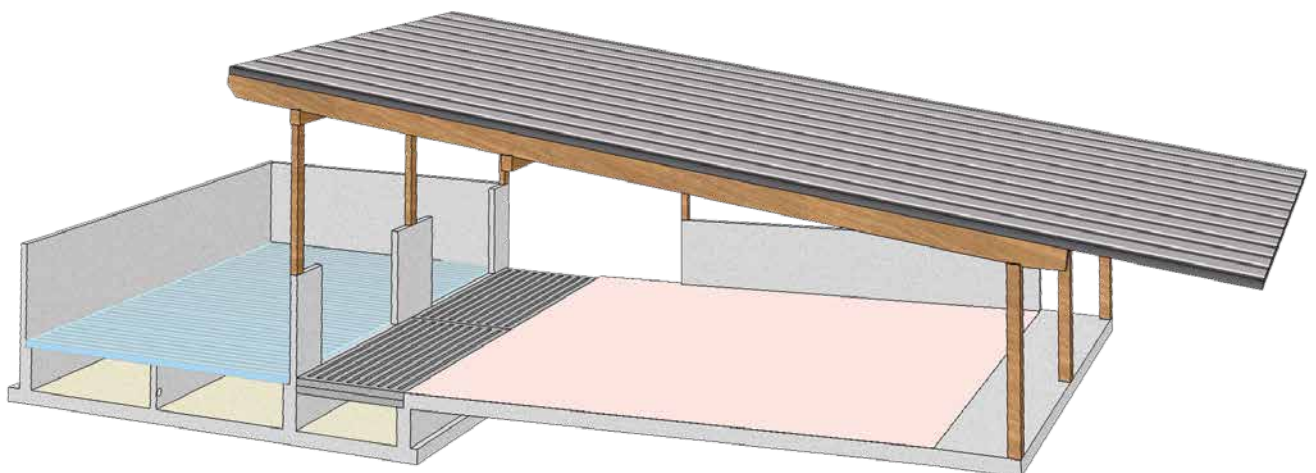
Our rope dunging systems are offering you a rational and competitive dunging for different housings in the pigsty. They are efficient for upper- and sub surface.

### Sub Surface Systems

- Multi-row stalls can be equipped with one drive.
- All scrapers for sub surface systems will be adapted to the canal height and canal wide.
- Flat canals below partial- or fully slats for dung or solid dung will reduce the building costs.
- The dunging process can be started several times a day, automatically or by a time switch.
- By regularly cleaning the dung canal, the ammonia emission in the air of the stall can be reduced and thereby improved the climate of the stall.



◀ Sub surface system as a double system



▲ Pigport-stall with single- and double system



▲ Pig housing in a loose barn



▲ Lying/running surface with dropping slot



▲ Sub surface canal



▲ Dung flap scraper at the end of the canal

## Upper Surface Systems

The dunging in a pigsty with a surface floor will be done by a flap- or folding scraper. The scrapers are transporting the dung, below the separations, to the dropping.



▲ Flap scraper on the walkway

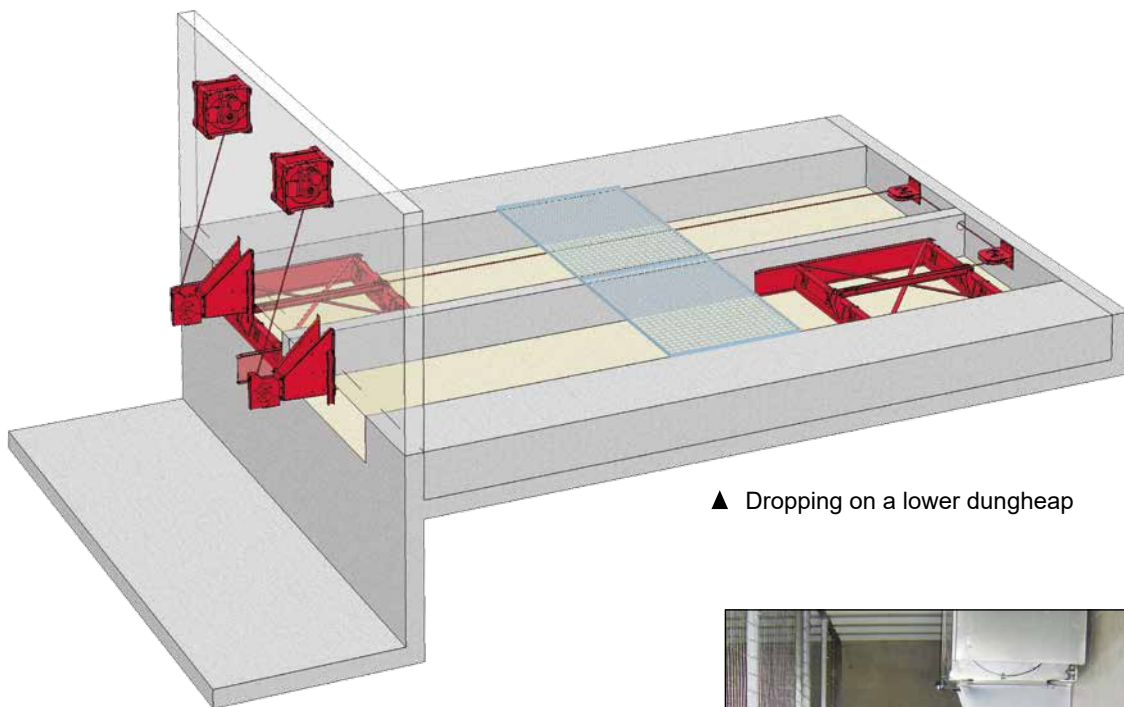


▲ Scraper system for the field lairage



## Hens

- Automatic or manual controlled rope dunging. The dunging scraper is thereby moving below the dung rusts in a canal.
- Flat canals (height 30-50 cm) are reducing the building costs.
- Drive of the scrapers with high performance drive winches by using a stainless steel rope.
- Several row systems can be combined with one drive unit.
- The dunging scraper will be adapted to the wide and the height in the canal.
- The clearing plate on the dung scraper will be positively controlled by the rope tension. The dung of several weeks can be transported out of the canal by stages.
- Dung dropping on a clearing plate or into a cross canal
- The start of the dunging process can be manual by a push button, radio controlled by a remote or by a time switch. By a regularly dunging you are able to increase the climate of the stall considerably!



▲ Dropping on a lower dungheap



▲ Dung flap scraper below rust



▲ Staff passage with inspection door





▲ Dropping on a lower dungheap



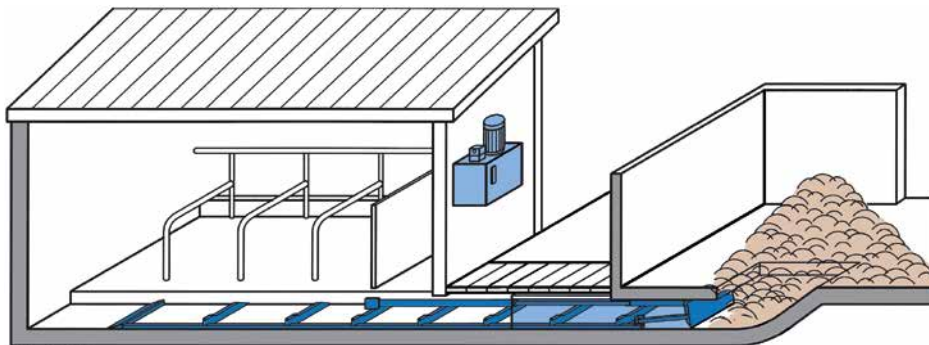
▲ Transport on dungheap



## Stanchion barn for cattle

Also for the stanchion barn we offer a cheap and reliable possibility to keep the stall clean. Our dung removal systems offer you:

- Drive winches with stainless steel- or plastic rope
- Upper- and sub surface transport
- Transport by an elevating ramp directly on a dungheap
- Simply assembling and operation of the system
- Reliable, longtime approved components



▲ Elevating ramp



▲ Dung scraper



## Sheep - Goats - Rabbit

### Dunging in the sheep-/goat stall

The dung removal happens by sub surface scrapers. These are below the slatted floor.



### Dunging in the rabbit stall

The dung removal happens by sub surface scrapers. These are below the skeleton containers.



## Information about our further products

Inform yourself also about our further products out of the range of dung removal systems! Furthermore we offer special- and individual solutions in the range of dung removal systems for all other kind of animals. We would be pleased helping you in planning your system. Contact us!



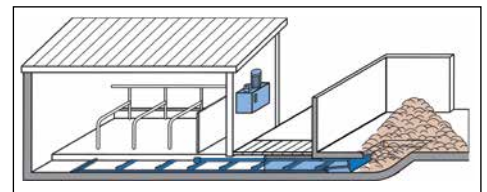
▲ Dung removal systems in cattle stalls



▲ Rope-/chain dunging for horse stables



▲ Dunging robot for slatted floor



▲ Cross transport with hydraulic pressure- or tube dunging

[www.prinzing.eu](http://www.prinzing.eu)

